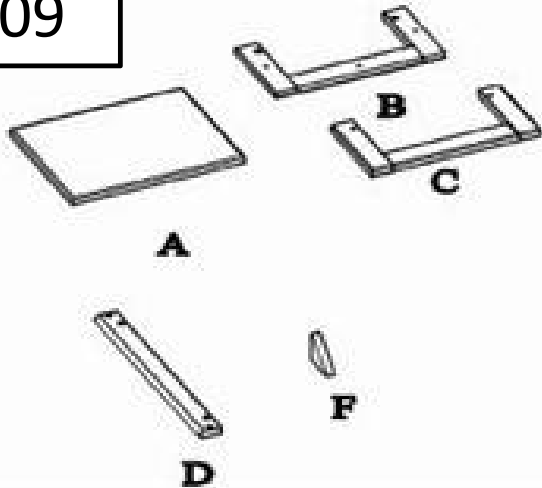


7609

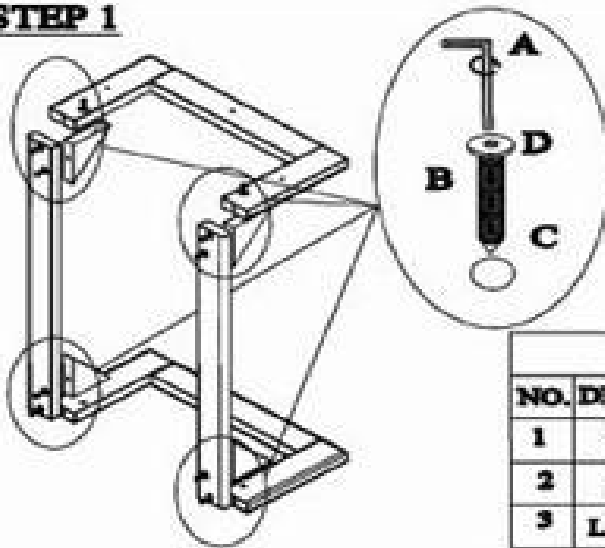


SOFA TABLE

Version



STEP 1



PART LIST:

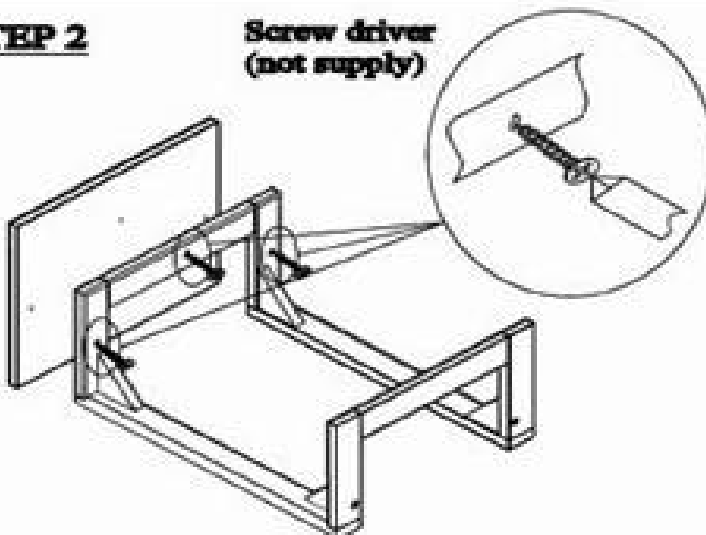
Item	DESCRIPTION	Q.Ty
A	TABLE TOP	1 pc
B	FRAME TOP	1 pc
C	FRAME BOTTON	1 pc
D	LEGS	2 pc
F	CONEERS	4 pcs

HARDWARE LIST:

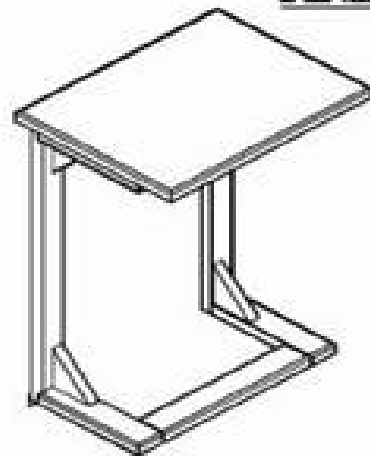
NO.	DESCRIPTION	SKETCH	SIZE	Q.Ty
1	BOLT		M7 x 45mm	12 pcs
2	SCREW		M4 x 30mm	3 pcs
3	L ALLEN KEY		M4 x 58mm	1 pc

STEP 2

Screw driver
(not supply)



FINISH



MADE IN VIET NAM